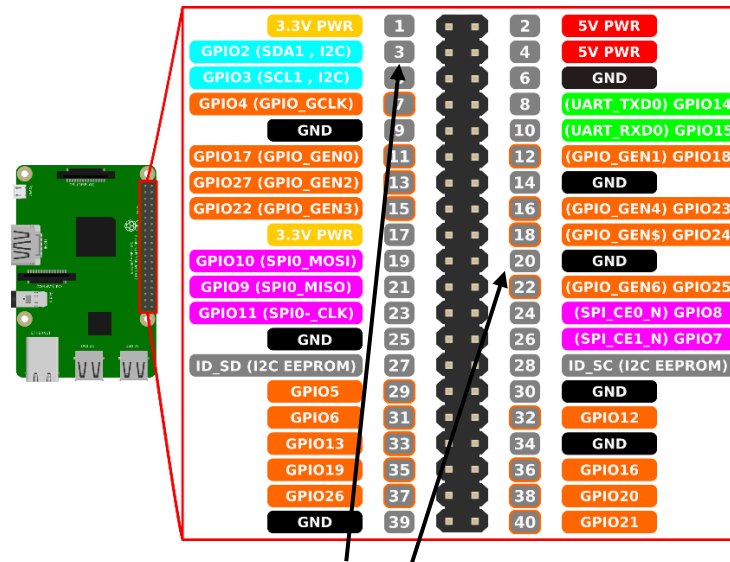


Shutdown Script for RetroPie



Use pin number 3 & 20 for "Shutdown"

- 1. Update RetroPie:**
 - `sudo apt-get update`
- 2. Upgrade RetroPie**
 - `sudo apt-get upgrade`
- 3. Install Python**
 - `sudo apt-get install python-dev`
 - `sudo apt-get install python3-dev`
 - `sudo apt-get install gcc`
 - `sudo apt-get install python-pip`
- 4. Next you need to get RPi.GPIO:**
 - `wget https://pypi.python.org/packages/source/R/RPi.GPIO/RPi.GPIO-0.5.11.tar.gz`
- 5. Extract the packages:**
 - `sudo tar -zxvf RPi.GPIO-0.5.11.tar.gz`
- 6. Move into the newly created directory:**
 - `cd RPi.GPIO-0.5.11`
 -
- 7. Install the module by doing:**
 - `sudo python setup.py install`
 - `sudo python3 setup.py install`
- 8. Creating a directory to hold your scripts:**
 - `mkdir /home/pi/scripts`

9. Call our script shutdown.py (it is written in python). Create and edit the script by doing:

- `sudo nano /home/pi/scripts/reboot.py`

The content of the script: Paste it in the blank area

```
#!/usr/bin/python
import RPi.GPIO as GPIO
import time
import subprocess

# we will use the pin numbering to match the pins on the Pi, instead of the
# GPIO pin outs (makes it easier to keep track of things)
GPIO.setmode(GPIO.BOARD)

# use the same pin that is used for the reset button (one button to rule them all!)
GPIO.setup(3, GPIO.IN, pull_up_down = GPIO.PUD_UP)
oldButtonState1 = True

while True:
    #grab the current button state
    buttonState1 = GPIO.input(3)
    # check to see if button has been pushed
    if buttonState1 != oldButtonState1 and buttonState1 == False:
        subprocess.call("reboot -h now", shell=True,
            stdout=subprocess.PIPE, stderr=subprocess.PIPE)
        oldButtonState1 = buttonState1
        time.sleep(.1)
```

Press **CRTL X** Then **Y** and **Enter**

10. Restart the pi

- `sudo reboot`

11. Configure our script to run at startup,

- `sudo nano /etc/rc.local`

Add the following to the file

- `sudo python /home/pi/scripts/reboot.py &`

Press **CRTL X** Then **Y** and **Enter**